



PVC Shower Enclosures

Durable and Low Maintenance

Easy to keep clean.
Will never rot or crack.

Four Standard Sizes

3x3 4x4 3x6 4x8

All sizes available in 3-sided or 4-sided. Enclosures can be built with door on front or side.

Only Available in White

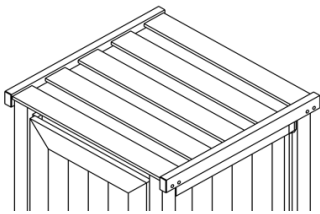


3' x 3' - 4-sided with roof

Accessories

Roof

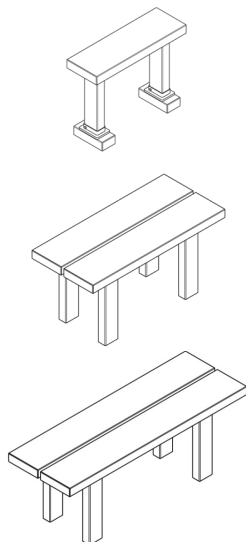
Optically secure
"Peepless Tom" roof
available for all sizes.



Other style roofs
available. Call for
more information.

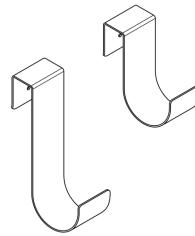
Benches

2' Mini, 3' and 4' long



Shower Hooks

6" or 10" long

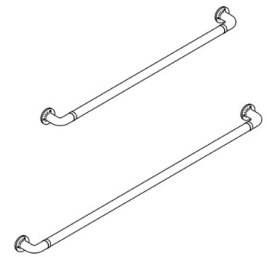


Hardware

Locking door
hardware is available
in black only.

Towel Drying Rack

3' or 4' long



Mounting

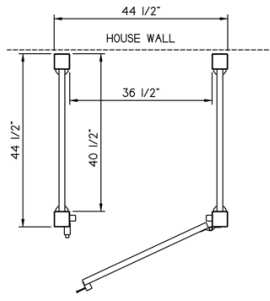
Structural posts for decks
or concrete slabs
available.



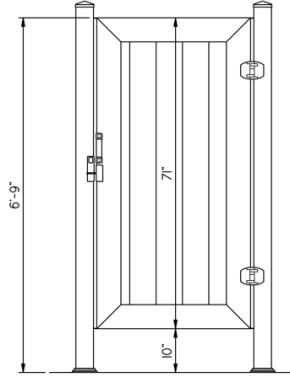


Standard Builder's Series

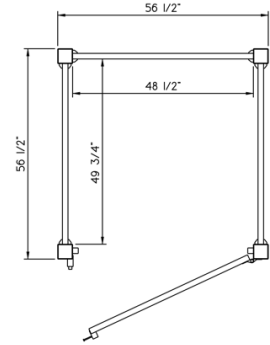
Shower Enclosure Sizes and Configurations



3' x 3' 3-sided Schematic Plan



Elevation

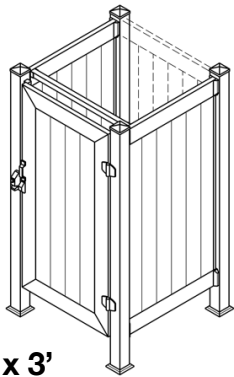


4' x 4' 4-sided Schematic Plan

- Inside length dimensions are approximately double on double wide units.
- Doors can be mounted on left or right side and hinged left or right.
- Individual model Sales / Assembly drawings available upon request.

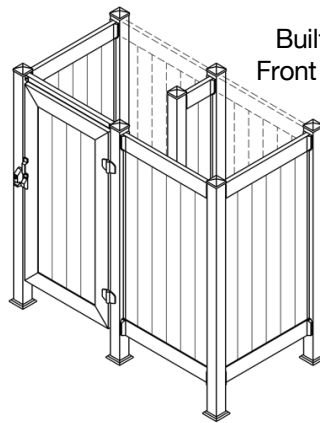


Custom Sizes & Configurations Available
Ask our sales team



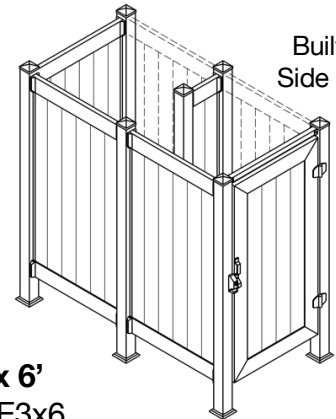
3' x 3' B3SE3x3

Each size available in 3-sided or 4-sided configurations.
(Optional fourth wall shown dotted)

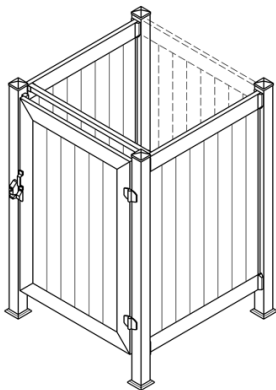


Built as Front Door

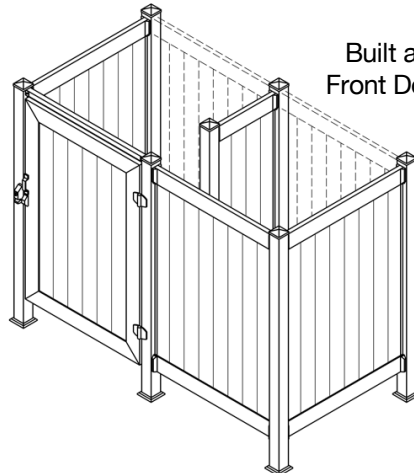
3' x 6' B3SE3x6



Built as Side Door

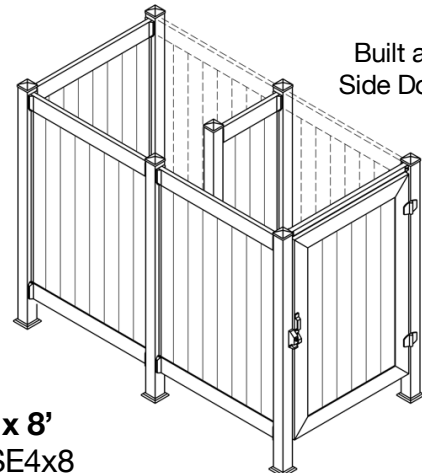


4' x 4' B3SE4x4



Built as Front Door

4' x 8' B3SE4x8



Built as Side Door

